

ELECTRONICS STATUS



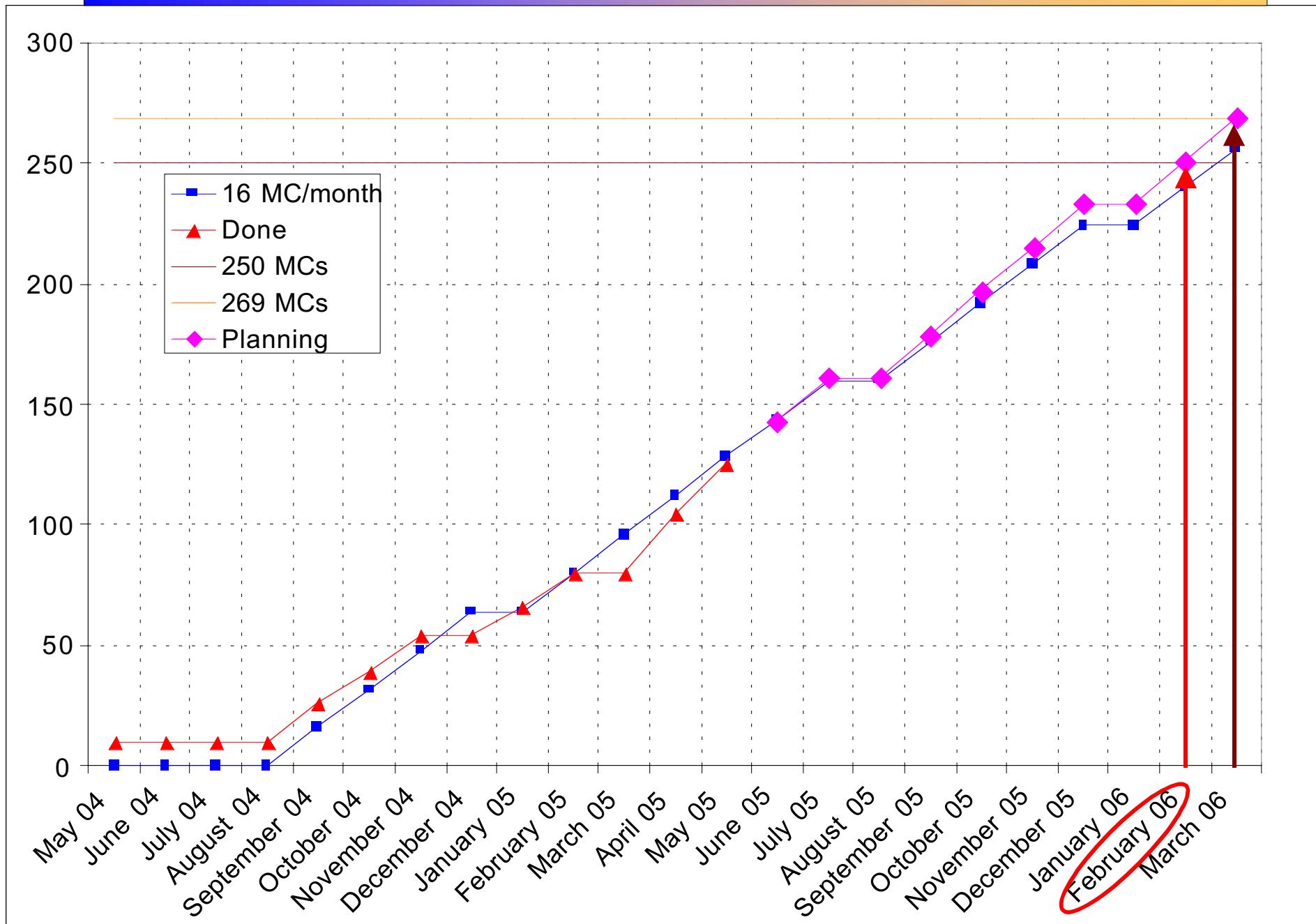
LV PATCH CONNECTORS

- **The total amount of 250 LV patch connectors have already been delivered:**
 - 50 by beginning of March.**
 - 50 by beginning of April.**
 - 150 by end of May.**

RO MINICRATES

- **Up to 125 MCs have already been delivered to Legnaro.**
 - 71 with the CCB/SB assembled in Madrid.**
- **We have sent enough MCs to complete YB+2, YB+1 and half YB0. Before August MCs for YB0 will also be completed.**
- **We will try to keep from now on the rate of 18 MCs/month, stopping in August and January.**
- **The 250 MCs will be finished with the first delivery of 2006, and then the spares will be assembled.**

RO MC PRODUCTION RATE



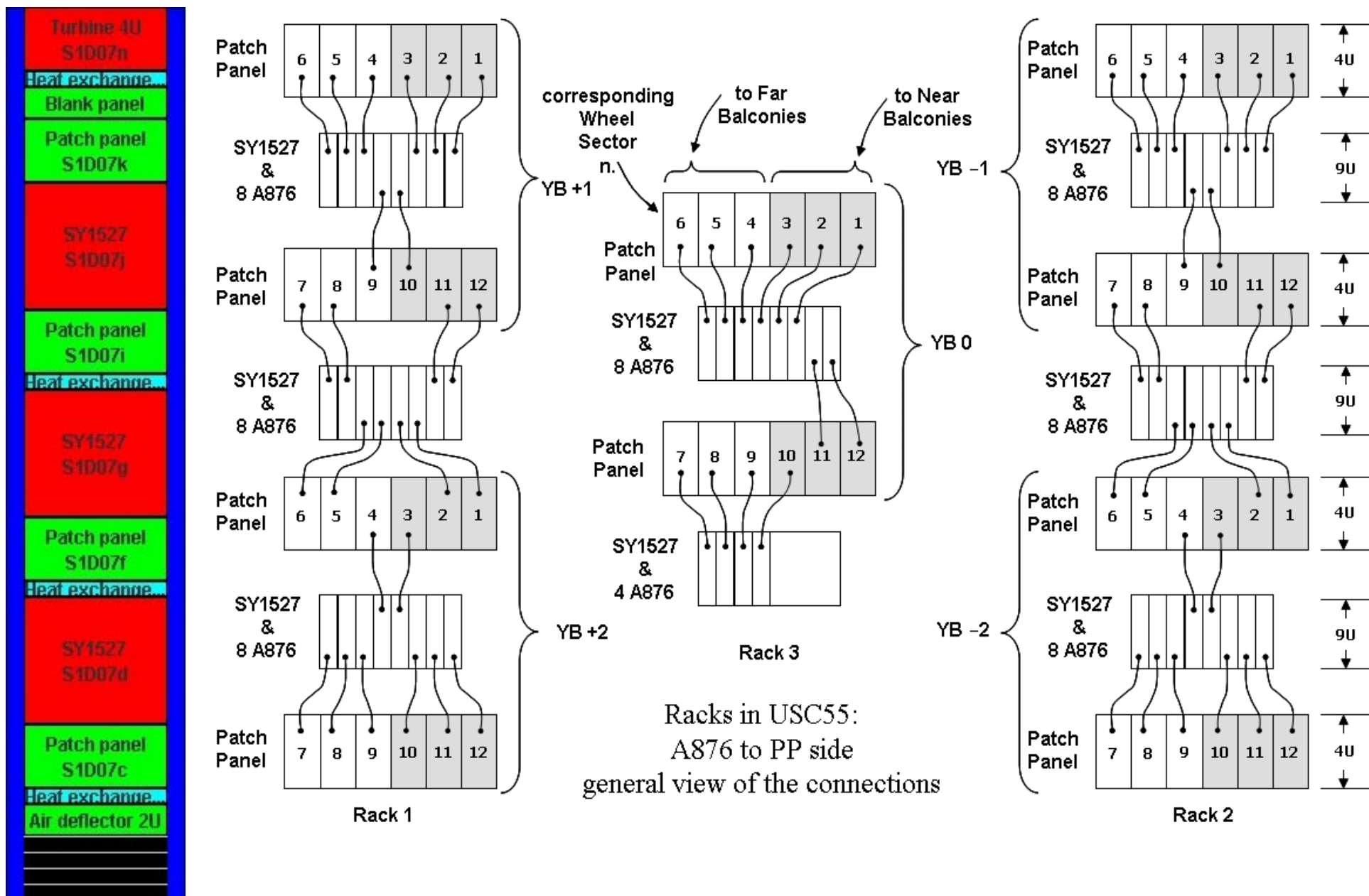
HV POWER SUPPLIES

4

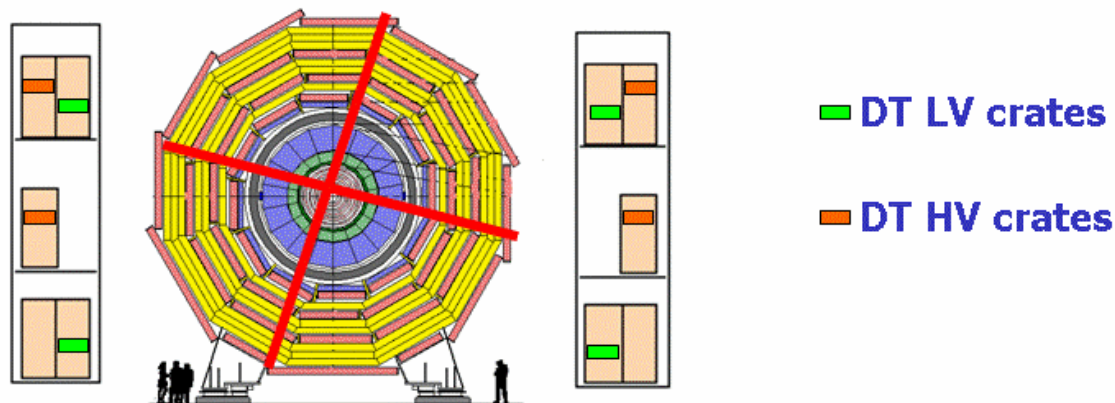
	Needed	Ordered	To be Ordered	Location
SY1527	8	8		USC55
A876	60+5(sp)	50	15	USC55
A877-12ch	180+10 (sp)	190	0	UXC55
A877-8ch	60		60	UXC55

- **Delivered modules are going to be tested at ISR.**
- **Cables (detector -> UXC) are ready and waiting for installation.**
- **Cables (UXC->USC) are bought and stored at CERN, its connectors have not yet been ordered.**
- **Patch pannels prototypes will be probably ready for cosmic challenge.**
- **Junction boxes are in process of upgrading.**

USC55: HV RACKS STATUS



LV POWER SUPPLIES



Total Needs

SY1527	1
A1676A (Controller)	10
EASY3000 (crate)	60
A3009 (analog and 5Vdigital)	70
A3050 (3.3V digital)	130
A3486 (AC/DC)	30 ~ 60
A3100 (SC)	10

Needs for Magnet Test

SY1527	1
A1676A (Controller)	1
EASY3000 (crate)	3
A3009 (analog and 5Vdigital)	4
A3050 (3.3V digital)	7
A3486 (AC/DC)	2
A3100	2