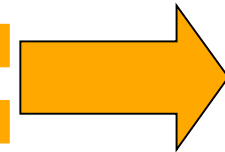
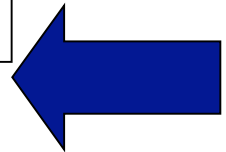


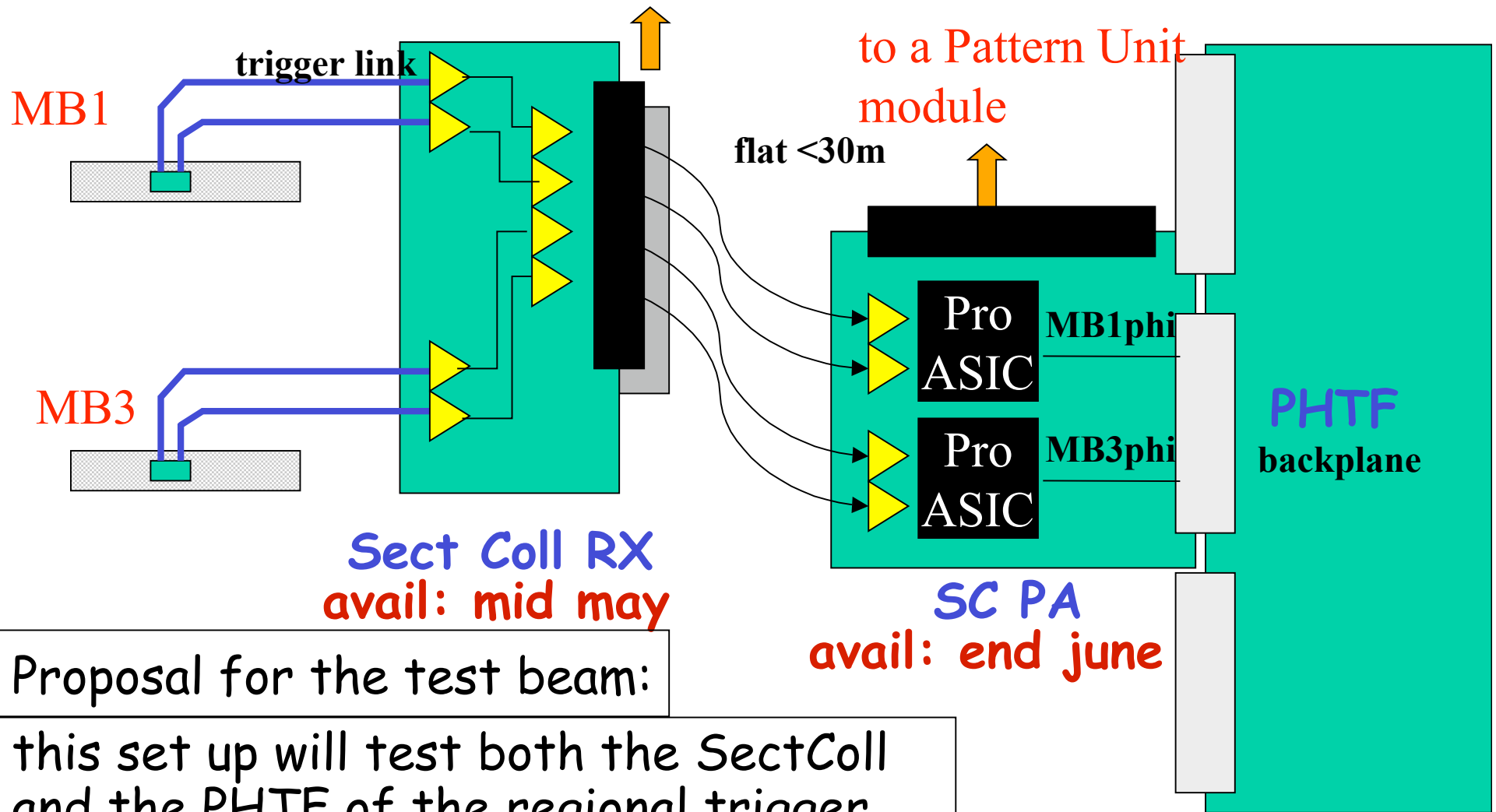
**Problem for Test Beam:
SC & OptoRX prototypes by Sep04**

DT local trigger



**Track
Finder**

to 2 Pattern Unit modules (optional)



Sect Coll RX
avail: mid may

SC PA
avail: end june

Proposal for the test beam:

this set up will test both the SectColl and the PHTF of the regional trigger with the full complexity of real data, but the optical link